

4

3

2

1

D

D

C

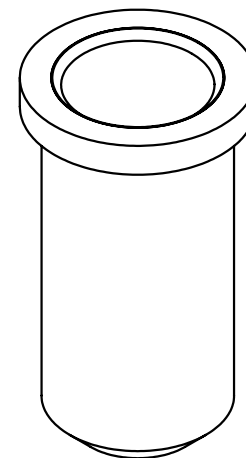
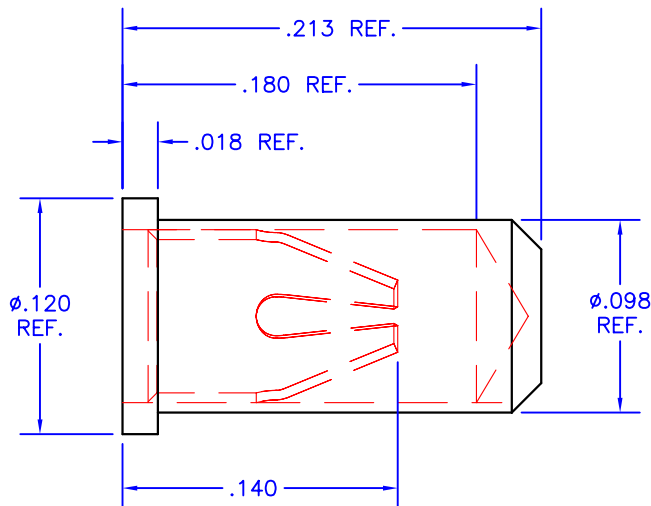
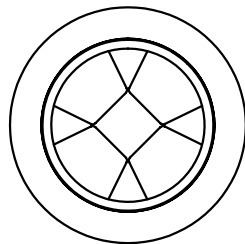
C

B

B

A

A



NOTES:

1. Unless otherwise noted, dimensions are in inches.
2. Shell: 360 brass, half-hard, with 10 μ m gold over nickel
3. Contacts: Beryllium copper with 30 μ m gold over nickel
4. Current rating: 11.2 amps, for 10°C temperature rise.
5. Solder mount in minimum .100 diameter mounting hole.
6. Mill-Max Part No. 0364-0-15-15-13-27-10-0

TOLERANCES - UNLESS OTHERWISE SPECIFIED
DIAMETERS: \pm .002
LENGTHS: \pm .005
ANGLES: \pm 2°



TITLE		PIN RECEPTACLE FOR .048-.064 DIAMETER PINS				PART NO.		MS04	
SUBJECT		MECHANICAL DRAWING							
ENG:	TECH/DRAW:	DCA	SHL	OF	FILENAME:	REV	DATE		
D-M	D-M	46478	1	1	MS04-B	B	10/19/04		

4

3

2

1